

# Product Specification

## Modeling Profile

WW-AP2508B

HK Office :

Unit 1901, 19th Floor, NanYang Plaza, No. 57 HungTo Road  
Kwun Tong, Kowloon, Hong Kong

Tel : (852) 3152 3059 (10 lines)

Fax : (852) 3152 3039



China Factory :

Zhiyang Science and Technology Park, 10 Zhiyang Road, Zhangge,  
Fucheng Street, Longhua District, Shenzhen, Guangdong, China

Tel : (86) 755 8601 9190

Fax : (86) 755 8601 9197

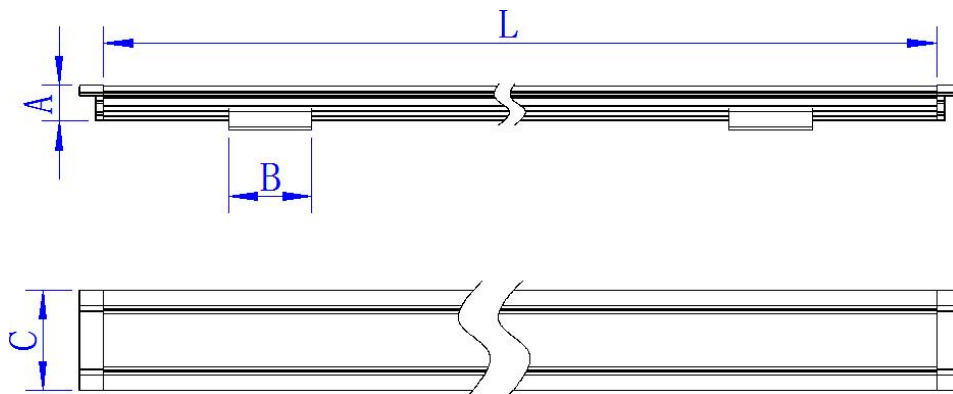
**WW-AP2508B-XXX**

**Features**

- Adopt aviation aluminum 6063-T5, outstanding heat dissipation performance.
- High quality surface finish with silver, white or black.
- No screw tight front-end cap, with hole & without hole front-end cap options.
- Uniform illumination
- Easy installation



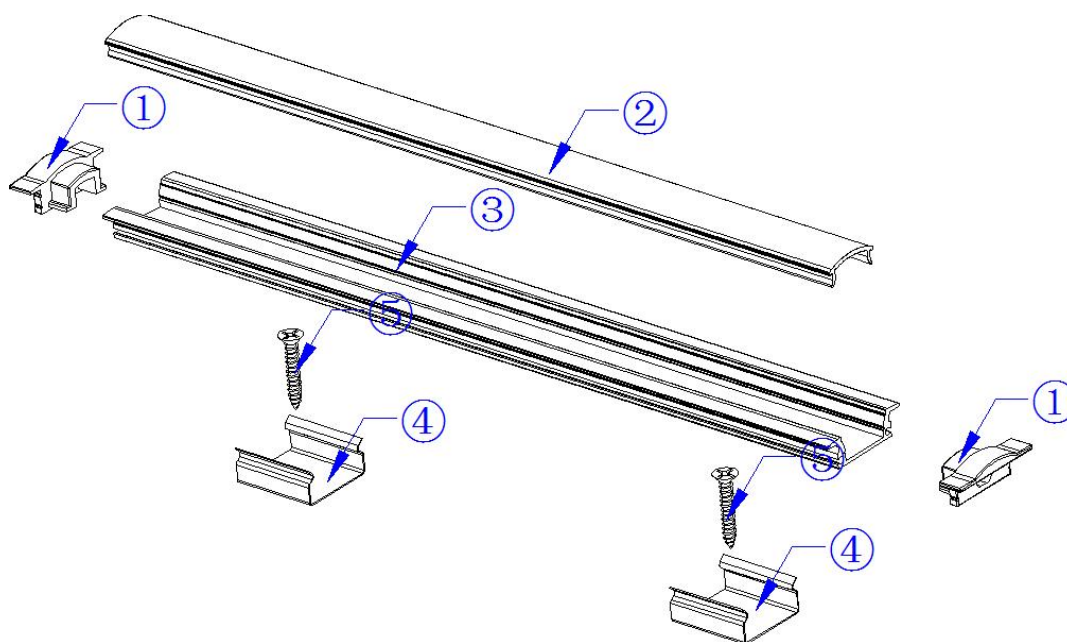
**Dimension Drawing**



WW-AP2508B-212			
A	B	C	L
7.64±0.2mm	20±0.2mm	24.7±0.2mm	2120±2mm
0.3±0.007in	0.787±0.007in	0.972±0.007in	83.46±0.079in

WW-AP2508B-100			
A	B	D	L
7.64±0.2mm	20±0.2mm	24.7±0.2mm	1000±2mm
0.3±0.007in	0.787±0.007in	0.972±0.007in	39.37±0.079in

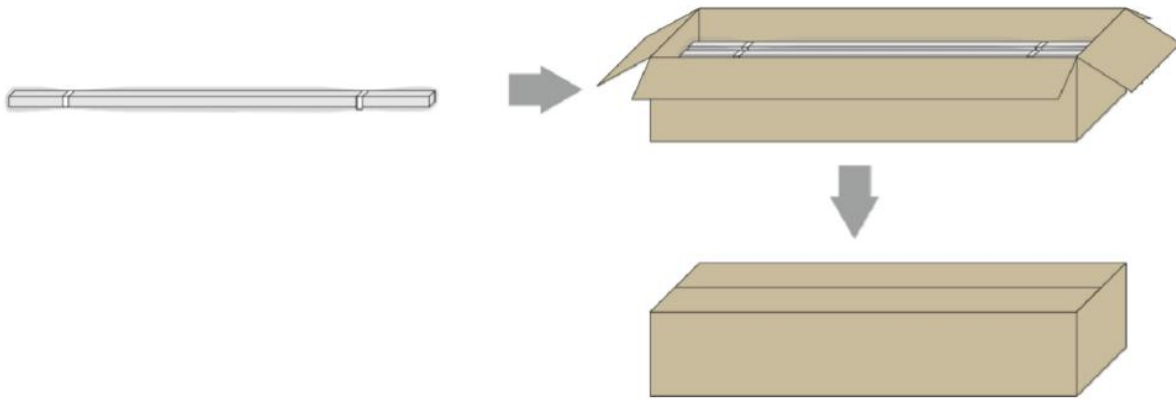
## Exploded views



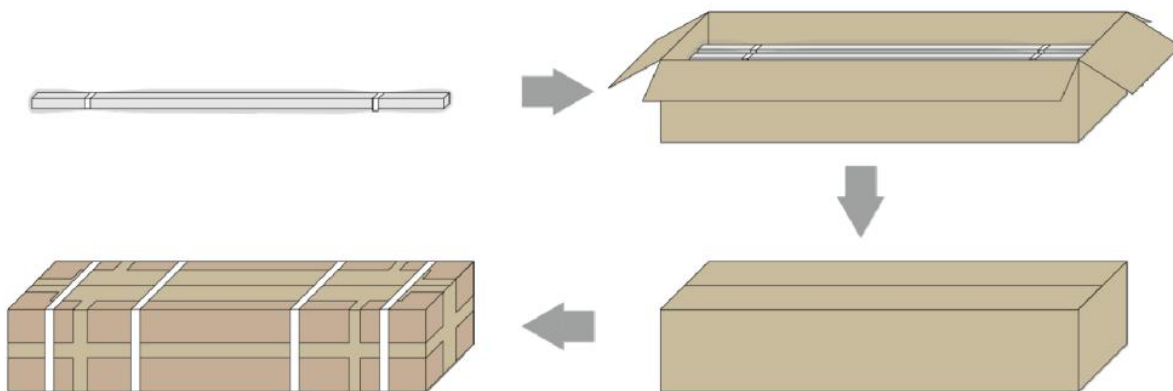


**■ Packaging Diagram**

**For Product Length <2M**



**For Product Length ≥2M**



Part NO.	Outer carton		PCS /ctn	N.W		G.W		Outer carton volume	
	size								
WW-AP2508B-212	2260*225*105m m	89*8.86*4.13in	60	15.9KG ± 10%	35.05Lbs ± 10%	21KG ± 10%	46.3Lbs ± 10%	0.0534 m <sup>3</sup>	1.886 cu ft
WW-AP2508B-100	1060*225*105m m	41.73*8.86*4.13in	60	7.4KG ± 10%	16.3Lbs ± 10%	8.4KG ± 10%	18.52Lbs ± 10%	0.0250 4m <sup>3</sup>	0.884ft <sup>3</sup>

**Remark:**

- Packaging information is for reference only, shipping is subject to actual condition.

 **Cautions**



Do not use in a wet or dusty environment



Do not use in places with oil or corrosive substances



Do not pull and collide when the product is working



Install the product in an appropriate environment



Follow user manual for installation



During the warranty period, only defective products are acceptable to be replaced by the factory. Factory is not responsible for other expenses because of replacement, such as transportation fee, installation fee, etc..

**\*\* If you do not follow the above "Cautions" to operate and result in damaging the product, the factory will not accept maintenance and return.  
\*\*he right of final interpretation is owned by Dilux.**