

Product Specification

SMD HV Strip

2835 AC 230V 120LEDs/M IP65

HVFLST2X4R-XX-EU-HR-HQ1-WP (150) (DM)
&
HVFLST2X4R-XX-EU-HR-HQ1-WP (150) -EP (DM)



HK Office :

Unit 1901, 19th Floor, NanYang Plaza, No. 57 Hung To Road
Kwun Tong, Kowloon, Hong Kong

Tel : (852) 3152 3059 (10 lines)

Fax : (852) 3152 3039


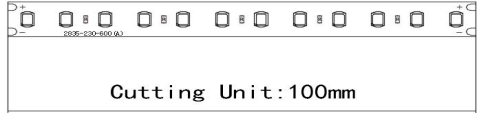


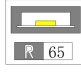
China Factory :


Zhiyang Science and Technology Park, 10 Zhiyang Road, Zhangge,
Fucheng Street, Longhua District, Shenzhen, Guangdong, China

Tel : (86) 755 8601 9190

Fax : (86) 755 8601 9197

<p>Product Features</p> <ul style="list-style-type: none"> • Flexible Silicone material, electrical insulation; • Self-encapsulated design offer four optional white light from 2600-6500K; • High quality FPC; • Short circuit protection; • Light source lifetime:30K hours(L70); • Meet (EU)2019/2020 ErP regulations. • Min. Bending Diameter: Φ100mm • Max. length(M): 24M 	  <p>Cutting Unit: 100mm</p>
<p>Technology info</p> <ul style="list-style-type: none"> • Lighting Technology: LED • DLS or NDLS: NDLS • MLS or NMLS: MLS 	<p>Certification Standards</p> <ul style="list-style-type: none"> • EN55015:2019+A11 • EN61547:2009 • EN60598-1:2015 • EN60598-2-20:2015 • EN62493:2015 • EN62471:2008

<p>Non-ErP Waterpro of Type</p>	 <p>3 Years Warranty</p>
--	---

<p>ErP Waterpro of Type</p>	 <p>3 Years Warranty</p>
------------------------------------	---

HVFLST2X4R-XX-EU-HR-HQ1-WP (150) (DM)

Parameters for non-ErP

Model NO.	CRI (Ra)	Rf	Rg	Typical Power (W/M)	Max. Power (W/M)	Color	LED Color Temp.(K) Wavelength(nm)*	Typ. Luminous Flux LM/0.5M(19.68in)	Strip Input voltage
HVFLST2W4R-05-EU-HR-HQ1-WP(150)(DM)	80	82	96	14.2	15.62	Warm White	2600-2900K	1680	DC 225V
HVFLST2W4R-05-EU-HR-HQ1-WP(150)(DM)				14.2	15.62	Warm White	2900-3200K	1760	
HVFLST2N4R-05-EU-HR-HQ1-WP(150)(DM)				14.2	15.62	Natural White	3700-4250K	1800	
HVFLST2S4R-05-EU-HR-HQ1-WP(150)(DM)				14.2	15.62	Standard White	5700-6500K	1840	
HVFLST2W4R-10-EU-HR-HQ1-WP(150)(DM)	80	82	96	14.2	15.62	Warm White	2600-2900K	1680	DC 225V
HVFLST2W4R-10-EU-HR-HQ1-WP(150)(DM)				14.2	15.62	Warm White	2900-3200K	1760	
HVFLST2N4R-10-EU-HR-HQ1-WP(150)(DM)				14.2	15.62	Natural White	3700-4250K	1800	
HVFLST2S4R-10-EU-HR-HQ1-WP(150)(DM)				14.2	15.62	Standard White	5700-6500K	1840	
HVFLST2W4R-20-EU-HR-HQ1-WP(150)(DM)	80	82	96	14.2	15.62	Warm White	2600-2900K	1680	DC 225V
HVFLST2W4R-20-EU-HR-HQ1-WP(150)(DM)				14.2	15.62	Warm White	2900-3200K	1760	
HVFLST2N4R-20-EU-HR-HQ1-WP(150)(DM)				14.2	15.62	Natural White	3700-4250K	1800	
HVFLST2S4R-20-EU-HR-HQ1-WP(150)(DM)				14.2	15.62	Standard White	5700-6500K	1840	

Remarks:

- * The above color temperature is the color temperature of LED source.
- ** Indicates SDCM<3 model is available, part number will add the suffix "-3S".
- The typ. Luminous flux tolerance range is ±10% (subject to the manufacturer's instrument test).
- **Test methods of parameter:**
Test 1m strip in the integrating sphere under the condition of input DC225V voltage

Test condition of above technical data:

- Surrounding temperature: 26 °C.
- The above parameters are data of external power supply

HVFLST2X4R-XX-EU-HR-HQ1-WP(150)-EP(DM)

Parameters for ErP

Model NO.	CRI (Ra)	Rf	Rg	Typical Power (W/0.5M)	Max. Power (W/0.5M)	Color	LED Color Temp.(K) Wavelength(nm)*	Luminous Flux LM/0.5M(18.6 8')	Lumen/watt	Energy Efficiency class	Strip Input voltage
HVFLST2W4R-05-EU-HR-HQ1-WP(150)-EP(DM)	80	82	96	7.5	8.25	Warm White	2700K	880	117	E	DC 225V
HVFLST2W4R-05-EU-HR-HQ1-WP(150)-EP(DM)						Warm White	3000K	900	120	E	
HVFLST2N4R-05-EU-HR-HQ1-WP(150)-EP(DM)						Natural White	4000K	920	122	E	
HVFLST2S4R-05-EU-HR-HQ1-WP(150)-EP(DM)						Standard White	6000K	940	125	E	
HVFLST2W4R-10-EU-HR-HQ1-WP(150)-EP(DM)	80	82	96	7.5	8.25	Warm White	2700K	880	117	E	DC 225V
HVFLST2W4R-10-EU-HR-HQ1-WP(150)-EP(DM)						Warm White	3000K	900	120	E	
HVFLST2N4R-10-EU-HR-HQ1-WP(150)-EP(DM)						Natural White	4000K	920	122	E	
HVFLST2S4R-10-EU-HR-HQ1-WP(150)-EP(DM)						Standard White	6000K	940	125	E	
HVFLST2W4R-20-EU-HR-HQ1-WP(150)-EP(DM)	80	82	96	7.5	8.25	Warm White	2700K	880	117	E	DC 225V
HVFLST2W4R-20-EU-HR-HQ1-WP(150)-EP(DM)						Warm White	3000K	900	120	E	
HVFLST2N4R-20-EU-HR-HQ1-WP(150)-EP(DM)						Natural White	4000K	920	122	E	
HVFLST2S4R-20-EU-HR-HQ1-WP(150)-EP(DM)						Standard White	6000K	940	125	E	

Remarks:

- *The above color temperature is the color temperature of LED source.

Test condition of above technical data:

- Surrounding temperature: 26 °C.
- Test after 10 mins turned on.
- The above parameters are data of external power supply
- Test methods of parameter:**
Test 1m strip in the integrating sphere under the condition of input DC225V voltage

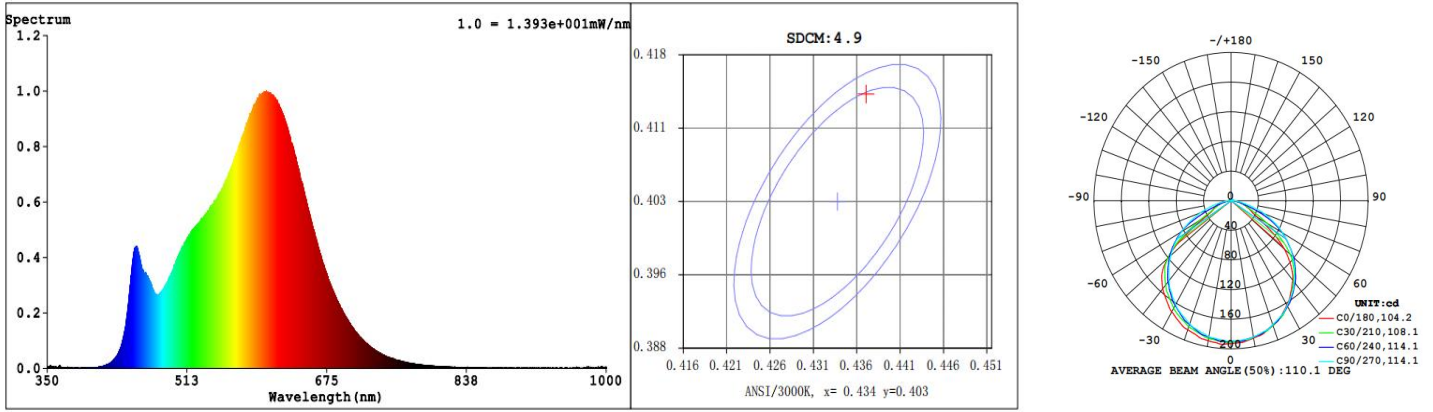
ErP Note:

- According to the new ErP 2019/2020 regulation for each 0.5m or nearest 0.5m strip, the following requirements must be met:
- Measured power \leq Pon +5% ;
- Measured lumen \geq Useful luminous flux -10%;
- Measured CRI \geq Declared CRI-2
- The above technical data, including typical power are based on the test of 0.6m
- Only for industrial application.

Match the power table

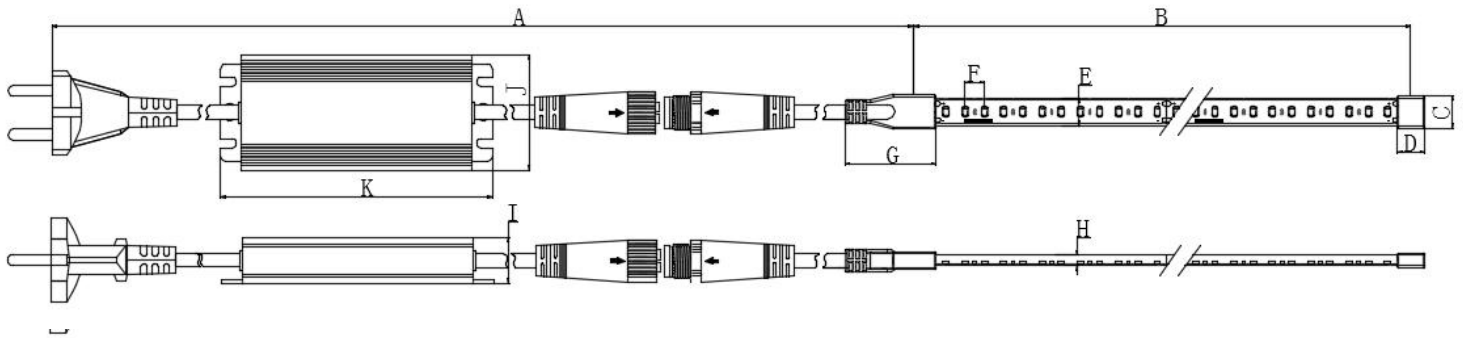
model	Match the power table
HVFLST2W4R-05-EU-HR-HQ1-WP(150)(DM)	WW-PCPH-400PF-XX-TRIAC Triac dimmer driver IN:AC230V OUT:DC225V 1.78A 400W MAX PF>0.9 flicker free WW-FSC-LRTHV600-DIM-1CH-A0 LED DIMMER IN:AC230V 600W
HVFLST2W4R-05-EU-HR-HQ1-WP(150)-EP(DM)	
HVFLST2W4R-10-EU-HR-HQ1-WP(150)(DM)	
HVFLST2W4R-10-EU-HR-HQ1-WP(150)-EP(DM)	
HVFLST2W4R-20-EU-HR-HQ1-WP(150)(DM)	
HVFLST2W4R-20-EU-HR-HQ1-WP(150)-EP(DM)	

Optical Test Diagram



Dimension Drawing

Dimension Drawing of 5/10/20M high voltage LED strip



5m

A	B	C	D	E	F	G	H	I	J	K
1800±25mm	5000±30mm	14±0.5mm	12±0.5mm	12±0.5mm	8.33±0.2mm	34±1mm	4.6±0.3mm	25±0.5mm	78±0.5mm	200±1mm
70.86±0.98in	196.85±1.18in	0.551±0.019in	0.472±0.019in	0.472±0.019in	0.327±0.007in	1.338±0.039in	0.181±0.011in	0.984±0.019in	3.07±0.019in	7.874±0.039in

10m

A	B	C	D	E	F	G	H	I	J	K
1800±25mm	10000±30mm	14±0.5mm	12±0.5mm	12±0.5mm	8.33±0.2mm	34±1mm	4.6±0.3mm	25±0.5mm	78±0.5mm	200±1mm
70.86±0.98in	393.7±1.18in	0.551±0.019in	0.472±0.019in	0.472±0.019in	0.327±0.007in	1.338±0.039in	0.181±0.011in	0.984±0.019in	3.07±0.019in	7.874±0.039in

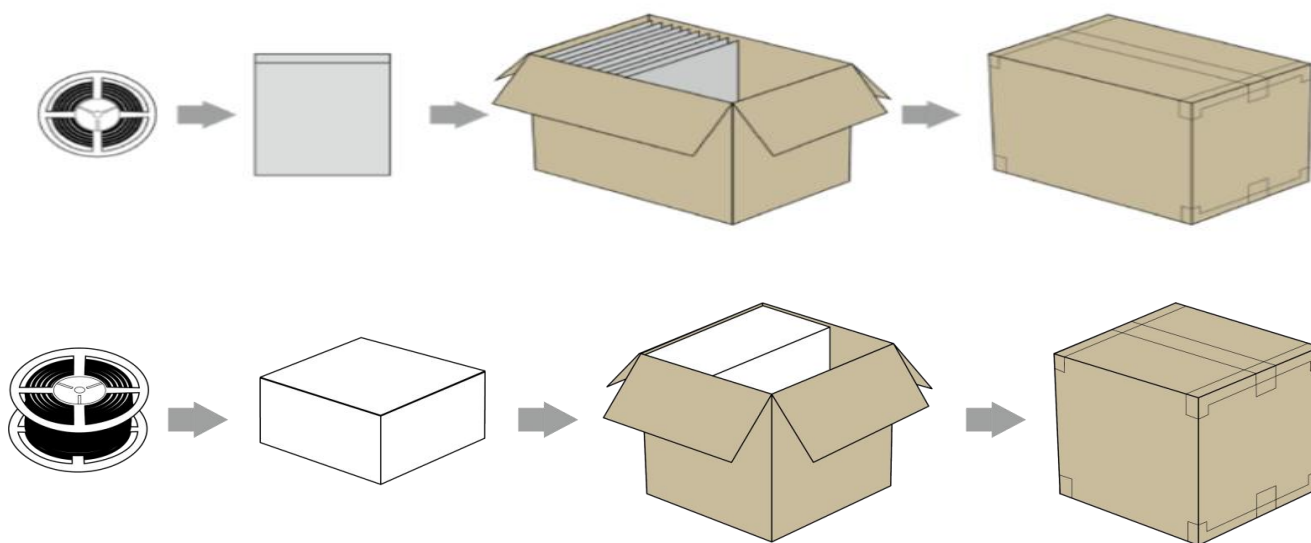
20m

A	B	C	D	E	F	G	H	I	J	K
1800±25mm	20000±30mm	14±0.5mm	12±0.5mm	12±0.5mm	8.33±0.2mm	34±1mm	4.6±0.3mm	25±0.5mm	78±0.5mm	200±1mm
70.86±0.98in	787.4±1.18in	0.551±0.019in	0.472±0.019in	0.472±0.019in	0.327±0.007in	1.338±0.039in	0.181±0.011in	0.984±0.019in	3.07±0.019in	7.874±0.039in

Optional Accessories

Category	Picture	Material Code	Description
buckle		WW-FLS102JJA-MC	Fixing clip set (screws)
Power Supply		WW-PCPH-400PF-EU-TRIAC	SIZE:200*78*25.1mm(L*W*H)
LED DIMMER		WW-FSC-LRTHV600-DIM-1CH-A0	SIZE:85*85*45mm(L*W*H)

Packaging Diagram



Packaging Information

Length	Reel size	Inner carton		Outer carton		N.W	G.W	Outer carton volume
		Size	Reel/ctn	Size	Reel/ctn			
5m	/	345*330*61mm	1	362*265*350mm	4	5.16KG ±10%	7.95KG ±10%	0.0335m ³
	/	13.58*12.99*2.4in	1	14.25*10.43*13.78in	4	11.37 Lbs ±10%	17.52Lbs ±10%	1.185ft ³
10m	/	345*330*61mm	1	362*265*350mm	4	6.32KG ±10%	9.11KG ±10%	0.0335m ³
	/	13.58*12.99*2.4in	1	14.25*10.43*13.78in	4	13.93 Lbs ±10%	20.08Lbs ±10%	1.185ft ³
20m	/	345*330*82mm	1	362*350*185mm	2	4.34KG ±10%	10.48KG ±10%	0.0227m ³
	/	13.58*12.99*3.23in	1	14.25*13.78*7.28in	2	9.57 Lbs ±10%	23.1Lbs ±10%	0.802ft ³

 **Cautions**



Do not pull and crash



Connected to power supply every 50 meters



The minimum bending diameter > 100mm



Please follow the user manual for installation



Operate carefully to avoid electric shock



Power supply retain > 20%



Note the positive and negative poles



Do not press the surface of LED



Only can be used in wet place, do not contact with water directly



No direct sunlight



Do not put plug, bridge rectifier, front and end cap into water



Pay attention to the power and ensure that the power supply wire is not overload



Ensure the output rated voltage operate within ±5%



Twist angle > 45°



Operated by professionals



Ensure circuit protector for the electric circuit



The continuous working time do not exceed 12 hours daily



Storage temperature
0°C ~ +60°C
(32°F ~ +140°F)



Operating temperature
-20°C ~ +45°C
(-4°F ~ +113°F)



Relative humidity
40%-70%



Storage life is within 6 months



Defective product photo should be provided for warranty



For avoiding LED get vulcanized, LED strip should be installed in the environment where does not has oil and corrosive substances. Such as these substances which contain Sulphur, Bromine, Iodine and Chlorine. Some other chemical elements which will cause Aromatic hydrocarbons releasing (such as: methylbenzene, xylene, methyl acetoacetate Ethyl acetate etc.). The environment in which includes strong acid and strong base.



During the warranty period, only defective products are acceptable to be replaced by the factory. Factory is not responsible for other expenses because of replacement, such as transportation fee, installation fee, etc..

Factory will not be responsible for warranty if product failure happens because of incorrect installation, incorrect use, man-made damage or irresistible external forces (Earthquake, Typhoon, Tsunami, Tornado, etc.)

** If you do not follow the above "Cautions" to operate and result in damaging the product, the factory will not accept maintenance and return.

**The right of final interpretation is owned by Dilux.