

# Product Specification

## Modeling Profile

WW-AP0809B

HK Office :

Unit 1901, 19th Floor, NanYang Plaza, No. 57 HungTo Road  
Kwun Tong, Kowloon, Hong Kong

Tel : (852) 3152 3059 (10 lines)

Fax : (852) 3152 3039



China Factory :

Zhiyang Science and Technology Park, 10 Zhiyang Road, Zhangge,  
Fucheng Street, Longhua District, Shenzhen, Guangdong, China

Tel : (86) 755 8601 9190

Fax : (86) 755 8601 9197

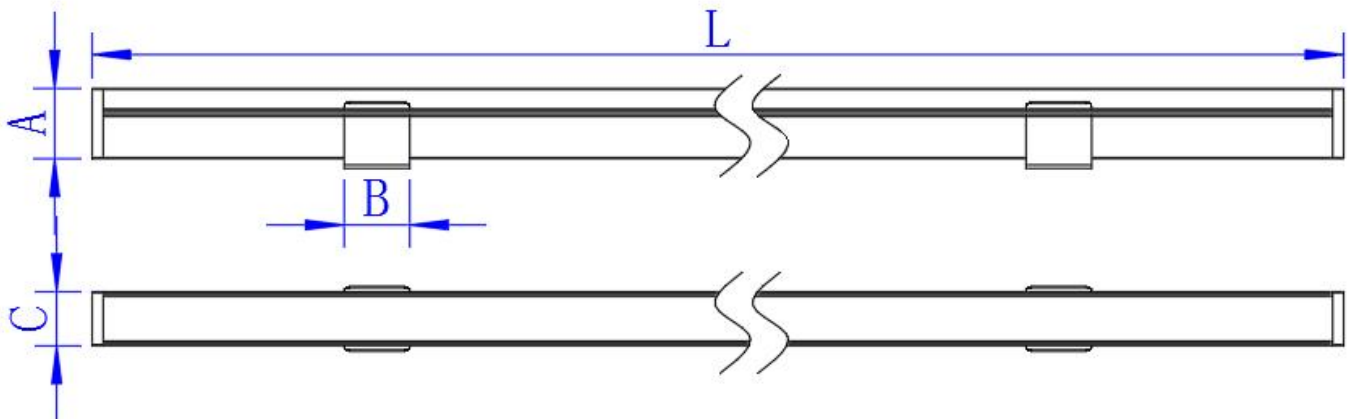
**WW-AP0809B-XXX**

**Features**

- Adopt aviation aluminum 6063-T5, outstanding heat dissipation performance.
- High quality surface finish with silver, white or black.
- No screw tight front-end cap, with hole & without hole front-end cap options.
- Uniform illumination
- Easy installation



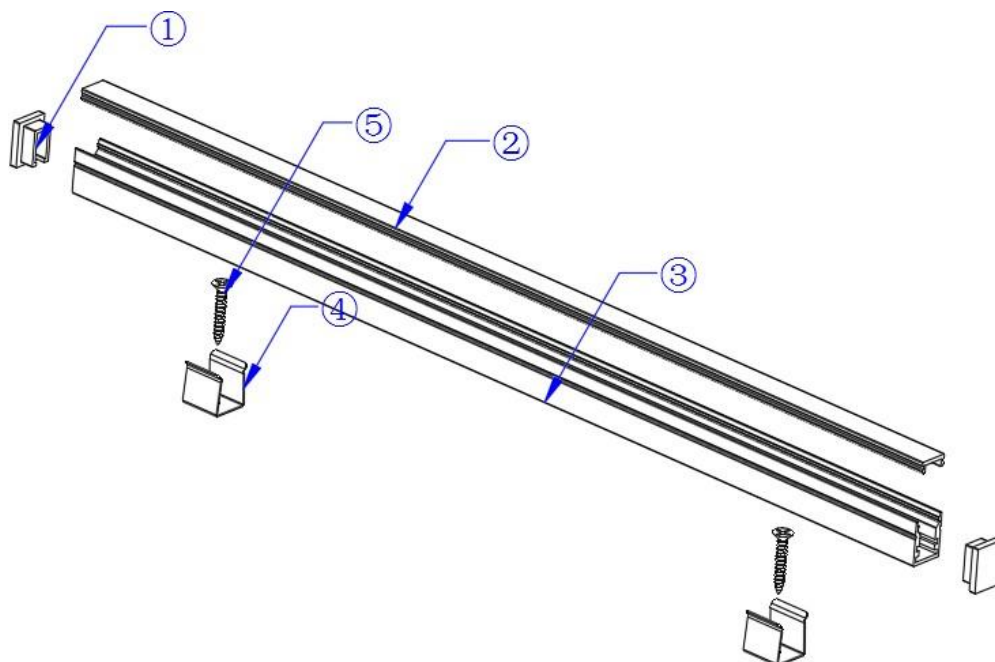
**Dimension Drawing**




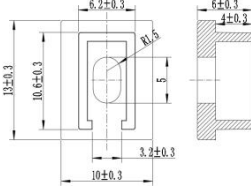

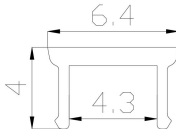
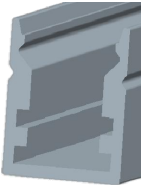
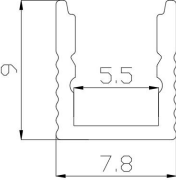

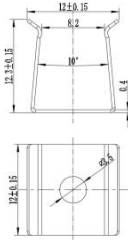

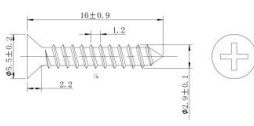
WW-AP0809-212			
A	B	C	L
9±0.2mm	12±0.2mm	7.8±0.2mm	2120±2mm
0.354±0.007in	0.47±0.007in	0.3±0.007in	83.46±0.079in

WW-AP0809B-100			
A	B	C	L
9±0.2mm	12±0.2mm	7.8±0.2mm	1000±2mm
0.354±0.007in	0.47±0.007in	0.3±0.007in	39.37±0.079in

**Exploded views**



## Standard parts

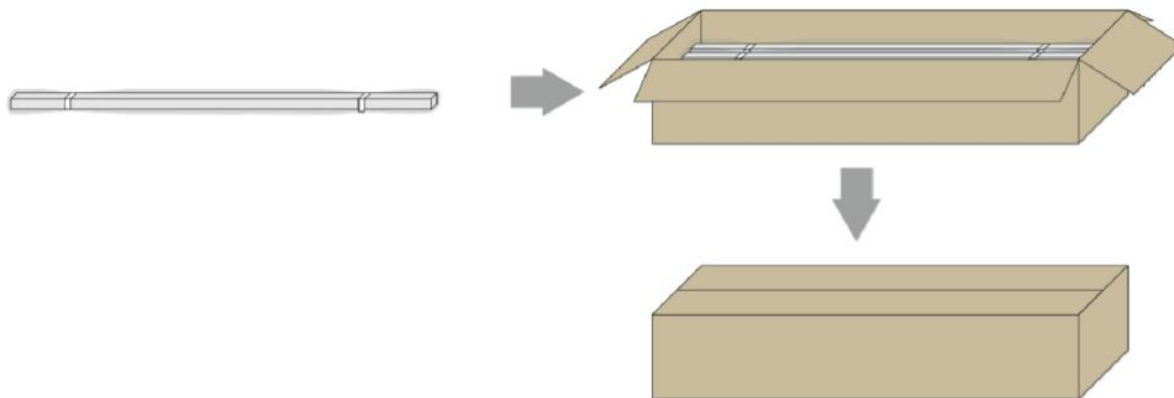
	Picture	Product name	Marke model	Product size	Characteristics
①		Plug (Pass through the wire hole)	AP0809B-DT		PC
②		Lens (PC cover)	AP0809B-CV		PC(The light transmittance is 83%)
③		Aluminum profile	AP0809B-LC		6063-T5
④		Faste ner	AP0809-SM		Stainless steel
⑤		Cross tapping screw	\		Cross tapping screw

**Remarks:**

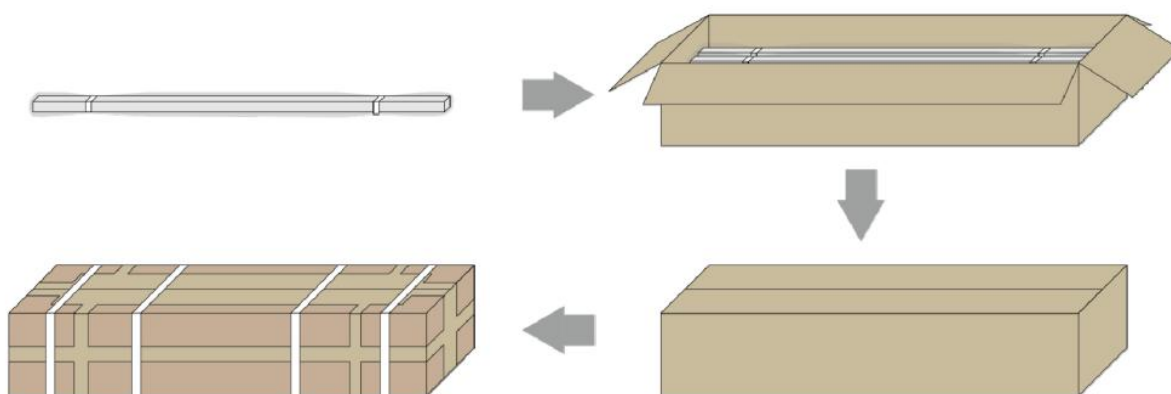
- Because PC material has expansion and contraction feature, the linear expansion coefficient of PC material is  $7 \times 10^{-5} \text{ cm}^{\circ}\text{C}$ , so when the product be used in different ambient temperatures, the length of PC cover will has a little bit tolerance which can be calculated by formula.
- For example: the original length of PC cover is 2 meters, when it has been used in  $0^{\circ}\text{C}$  ambience temperature, the length of PC cover will probably contract 0-5mm. when it has been used in  $35^{\circ}\text{C}$  ambience temperature, On the contrary, the length of PC cover will probably expand 0-5mm.

**Packaging Diagram**

**For Product Length <2M**



**For Product Length ≥2M**



Part NO.	Outer carton			N.W		G.W		Outer carton volume	
	Size		PCS /ctn						
WW-AP0809B-212	2260*225*105m m	89*8.86*4.13i n	100	17.7KG ± 10%	39.02Lbs ± 10%	22.8KG ± 10%	50.26Lbs ± 10%	0.0534 m³	1.886 cu ft
WW-AP0809B-100	1060*225*105m m	41.7*8.86*4.13i n	100	8.3KG ± 10%	18.29Lbs ± 10%	13.4KG ± 10%	29.54Lbs ± 10%	0.025 m³	0.88 ft³

**Remark:**

- Packaging information is for reference only, shipping is subject to actual condition.

 **Cautions**



Do not use in a wet or dusty environment



Do not use in places with oil or corrosive substances



Do not pull and collide when the product is working



Install the product in an appropriate environment



Follow user manual for installation



During the warranty period, only defective products are acceptable to be replaced by the factory. Factory is not responsible for other expenses because of replacement, such as transportation fee, installation fee, etc..

**\*\* If you do not follow the above "Cautions" to operate and result in damaging the product, the factory will not accept maintenance and return.  
\*\*he right of final interpretation is owned by Dilux.**