

Product Specification

Neon Flex Horizontal Bending Single Color Series (Type TA)

WW-FLS102T28XX084TA-24(WCP)-XR-V-1018-XX
&
WW-FLS102T28XX084TA-24(WCP)-XR-V-1018-XX-EP
(Removal Light Source)

Apply to ERP Regulation (EU) 2019/2020



HK Office :

Unit 1901, 19th Floor, NanYang Plaza, No. 57 Hung To Road
Kwun Tong, Kowloon, Hong Kong

China Factory :

Zhiyang Science and Technology Park, 10 Zhiyang Road, Zhangge,
Fucheng Street, Longhua District, Shenzhen, Guangdong, China

Tel : (852) 3152 3059 (10 lines)

Fax : (852) 3152 3039



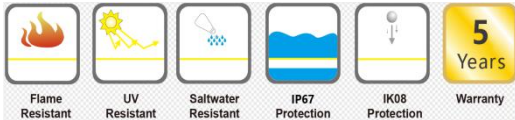
Tel : (86) 755 8601 9190



Fax : (86) 755 8601 9197

Product Features

- High quality FPC
- Dilux self-encapsulated LED
- Light source lifetime:50K hours
- Light source removable
- Meet (EU) 2019/2020 ERP regulations
- Horizontal bending
- High quality silicone material
- IP67&IP65 waterproof
- Min.Bending Diameter:Φ100mm
- Single-ended power supply maximum length: 9m



Technology info

- Lighting Technology: LED
- DLS or NDLS: NDLS
- MLS or NMLS: NMLS
- Type of light source: SMD2835
- Energy consumption KW/1000h/0.5M:4.8
- Beam angle : 120°
- Survival factor (Annex V/EU2019-2020) :90%

Harmonised Standards

EMC

- EN55015:2013+A1
- EN61547:2009
- EN60598-1:2015
- EN60598-2-20:2015
- EN62493:2015
- EN62471:2008

Parameters

Test condition:

- Surrounding temperature: 26°C.
- Test while turning on.

Neon Flex									
Neon Flex Model No.	CRI (Ra)	Rf	Rg	Typ. Power (W/M)	Max. Power (W/M)	Color	Neon Flex Color Temp.(K) Wavelength(nm)	Typ. Luminous Flux LM/M(39.37in)	Rated voltage
WW-FLS102T28WW084TA-24(WCP)-HR-V-1018-XX WW-FLS102T28WW084TA-24(WCP)-HR-V-1018-XX-EP	≥80	82	96	9.60	10.56	Warm White	2500K	250	DC24V
Warm White						2700K	250	DC24V	
Warm White						3000K	265	DC24V	
Natural White						4000K	265	DC24V	
Standard White						6000K	265	DC24V	
WW-FLS102T28WW084TA-24(WCP)-UR-V-1018-XX WW-FLS102T28WW084TA-24(WCP)-UR-V-1018-XX-EP	≥90	90	100	9.60	10.56	Warm White	2500K	210	DC24V
Warm White						2700K	210	DC24V	
Warm White						3000K	225	DC24V	
Natural White						4000K	225	DC24V	
Standard White						6000K	225	DC24V	
WW-FLS102T28SR084TA-24(WCP)-V-1018-XX	/	/	/	9.60	10.56	Red	620-630nm	55	DC24V
WW-FLS102T28SG084TA-24(WCP)-V-1018-XX						Green	515-525nm	240	
WW-FLS102T28SB084TA-24(WCP)-V-1018-XX						Blue	465-475nm	40	
WW-FLS102T28AY084TA-24(WCP)-V-1018-XX						Yellow	585-595nm	45	

Remarks:

- SDCM for light source: ≤6 (alternative ≤3).
- The typ. Luminous flux tolerance range is ±10% (subject to the manufacturer's instrument test).

Parameters for Removal Light Source

Test condition:

- Surrounding temperature: 26 °C.
- Test after 10 mins turned on.

Removal of Light Source											
Neon Flex Model No.	CRI (Ra)	Rf	Rg	Typical Power (W/M)	Max. Power (W/M)	Color	LED Color Temp.(K) Wavelength(nm)*	Typ. Luminous Flux LM/M(39.37in)	Lumen/wat t	Energy Efficiency class	Rated voltage
WW-FLS102T28WW084TA-24(WCP)-HR-V-1018-XX WW-FLS102T28WW084TA-24(WCP)-HR-V-1018-XX-EP	≥80	82	96	9.50	10.40	Warm White	2700K	1000	105	F	DC24V
WW-FLS102T28WW084TA-24(WCP)-HR-V-1018-XX WW-FLS102T28WW084TA-24(WCP)-HR-V-1018-XX-EP						Warm White	3000K	1037	109	F	DC24V
WW-FLS102T28WW084TA-24(WCP)-HR-V-1018-XX WW-FLS102T28WW084TA-24(WCP)-HR-V-1018-XX-EP						Warm White	3500K	1102	116	E	DC24V
WW-FLS102T28NW084TA-24(WCP)-HR-V-1018-XX WW-FLS102T28NW084TA-24(WCP)-HR-V-1018-XX-EP						Natural White	4700K	1123	118	E	DC24V
WW-FLS102T28SW084TA-24(WCP)-HR-V-1018-XX WW-FLS102T28SW084TA-24(WCP)-HR-V-1018-XX-EP						Standard White	8000K	1022	107	F	DC24V
WW-FLS102T28WW084TA-24(WCP)-UR-V-1018-XX WW-FLS102T28WW084TA-24(WCP)-UR-V-1018-XX-EP	≥90	90	100	9.50	10.40	Warm White	2700K	845	89	F	DC24V
WW-FLS102T28WW084TA-24(WCP)-UR-V-1018-XX WW-FLS102T28WW084TA-24(WCP)-UR-V-1018-XX-EP						Warm White	3000K	890	93	F	DC24V
WW-FLS102T28WW084TA-24(WCP)-UR-V-1018-XX WW-FLS102T28WW084TA-24(WCP)-UR-V-1018-XX-EP						Warm White	3500K	921	96	F	DC24V
WW-FLS102T28NW084TA-24(WCP)-UR-V-1018-XX WW-FLS102T28NW084TA-24(WCP)-UR-V-1018-XX-EP						Natural White	4700K	912	96	F	DC24V
WW-FLS102T28SW084TA-24(WCP)-UR-V-1018-XX WW-FLS102T28SW084TA-24(WCP)-UR-V-1018-XX-EP						Standard White	8000K	929	97	F	DC24V

Remarks:

- *The above color temperature is the color temperature of LED source.
- The typ. Luminous flux tolerance range is ±10% (subject to the manufacturer's instrument test).

ErP Note:

- Measured power ≤ Pon +5% ;
- Measured lumen ≥ Useful luminous flux -10%;
- Measured CRI ≥ Declared CRI-2
- The above technical data, including typical power are based on the test of 0.5m.

Parameters for Removal Light Source

Test condition:

- Surrounding temperature: 26°C.
- Test while turning on.

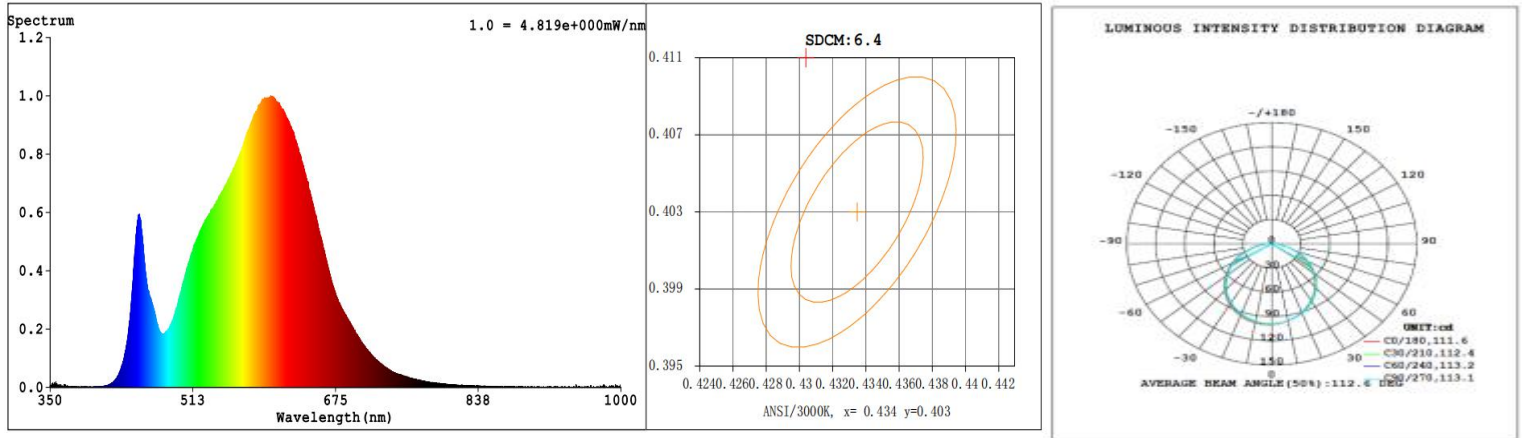
Removal of Light Source														
Neon Flex Model No.	CRI (Ra)	Rf	Rg	Typical Power (W/M)	Max. Power (W/M)	Color	Range of LED Color Temp.(K) Wavelength(nm) ^a	Typ. Luminous Flux LM/M(39.3 7in)	Rated voltage					
WW-FLS102T28WW084TA-24(WCP)-HR-V-1018-XX WW-FLS102T28WW084TA-24(WCP)-HR-V-1018-XX-EP	≥80	82	96	9.38	10.30	Warm White	2600-2900K	930	DC24V					
WW-FLS102T28WW084TA-24(WCP)-HR-V-1018-XX WW-FLS102T28WW084TA-24(WCP)-HR-V-1018-XX-EP						Warm White	2900-3200K	962	DC24V					
WW-FLS102T28WW084TA-24(WCP)-HR-V-1018-XX WW-FLS102T28WW084TA-24(WCP)-HR-V-1018-XX-EP						Warm White	3200-3700K	1028	DC24V					
WW-FLS102T28NW084TA-24(WCP)-HR-V-1018-XX WW-FLS102T28NW084TA-24(WCP)-HR-V-1018-XX-EP						Natural White	4500-5000K	1046	DC24V					
WW-FLS102T28SW084TA-24(WCP)-HR-V-1018-XX WW-FLS102T28SW084TA-24(WCP)-HR-V-1018-XX-EP						Standard White	7000-9000K	972	DC24V					
WW-FLS102T28WW084TA-24(WCP)-UR-V-1018-XX WW-FLS102T28WW084TA-24(WCP)-UR-V-1018-XX-EP						≥90	90	100	9.38	10.30	Warm White	2600-2900K	764	DC24V
WW-FLS102T28WW084TA-24(WCP)-UR-V-1018-XX WW-FLS102T28WW084TA-24(WCP)-UR-V-1018-XX-EP											Warm White	2900-3200K	830	DC24V
WW-FLS102T28WW084TA-24(WCP)-UR-V-1018-XX WW-FLS102T28WW084TA-24(WCP)-UR-V-1018-XX-EP											Warm White	3200-3700K	860	DC24V
WW-FLS102T28NW084TA-24(WCP)-UR-V-1018-XX WW-FLS102T28NW084TA-24(WCP)-UR-V-1018-XX-EP	Natural White	4500-5000K	820	DC24V										
WW-FLS102T28SW084TA-24(WCP)-UR-V-1018-XX WW-FLS102T28SW084TA-24(WCP)-UR-V-1018-XX-EP	Standard White	7000-9000K	864	DC24V										

Remarks:

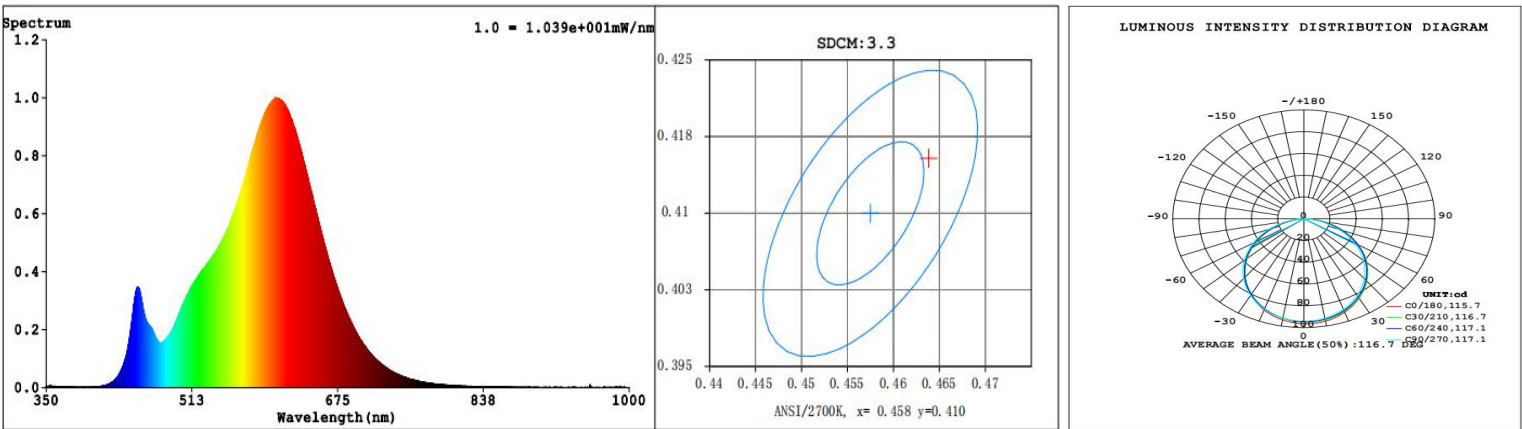
- * The above color temperature is the color temperature of LED source.
- SDCM for light source: ≤6 (alternative ≤3).
- The typ. Luminous flux tolerance range is ±10% (subject to the manufacturer's instrument test).

Optical Test Diagram

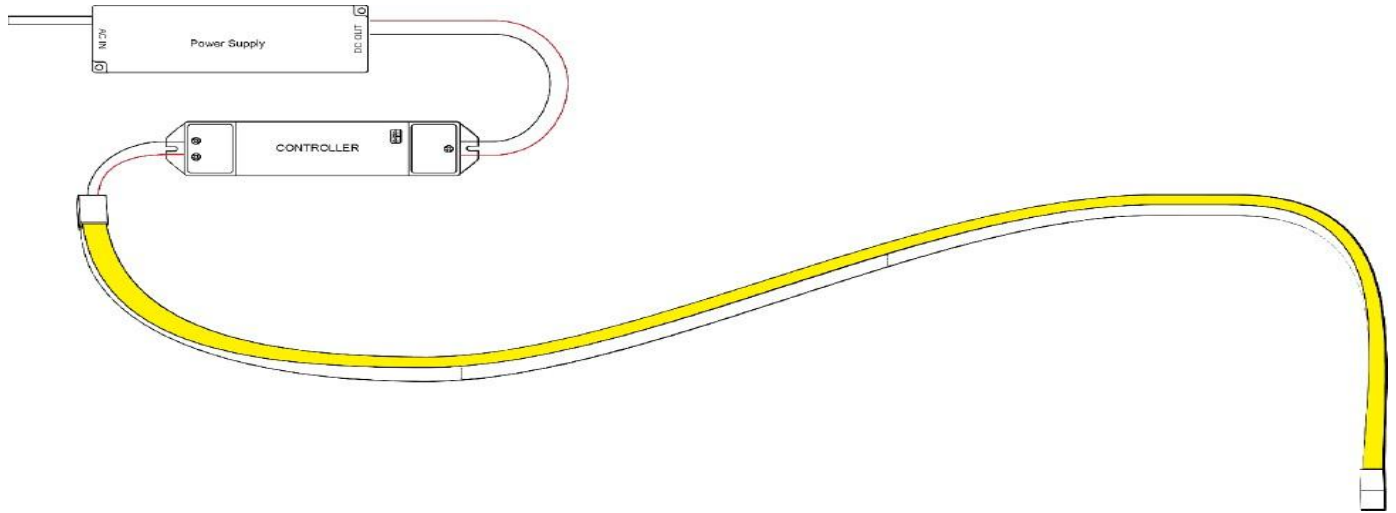
Neon Flex



Removal Light Source

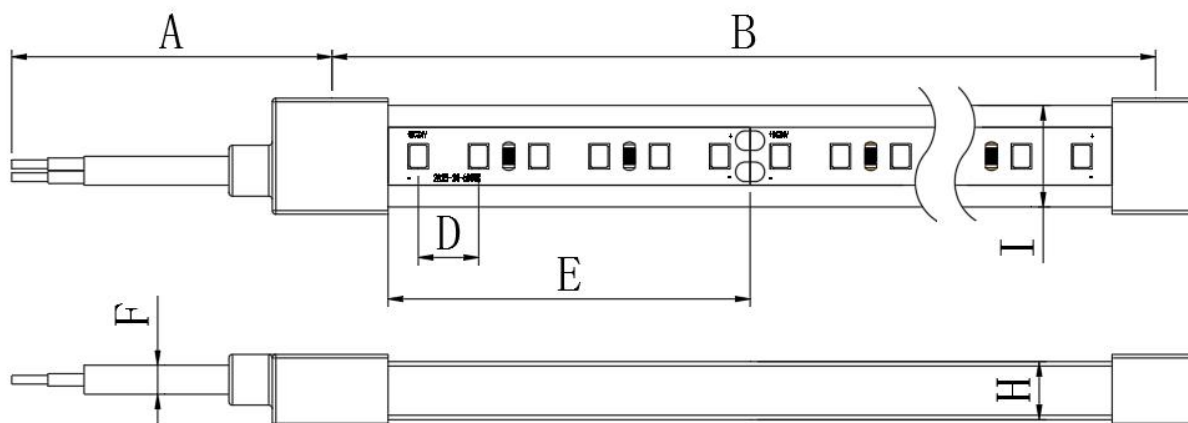


Circuit Diagram



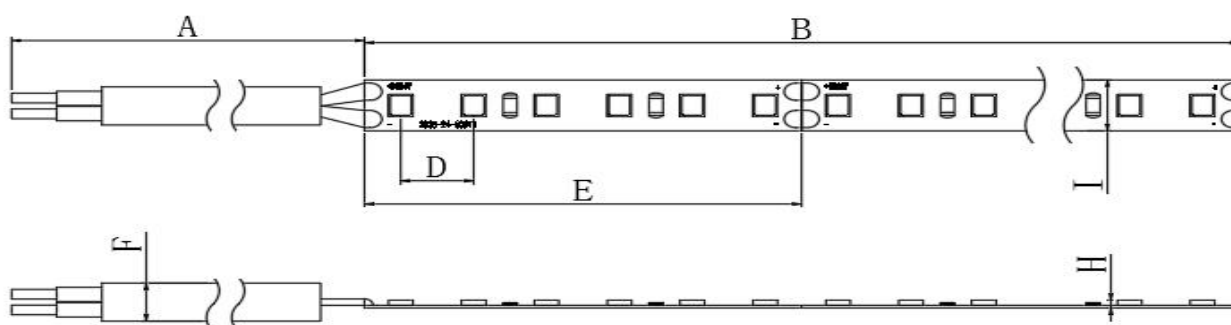
Dimension Drawing

Neon Flex




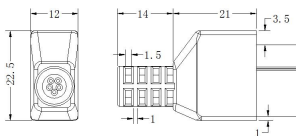

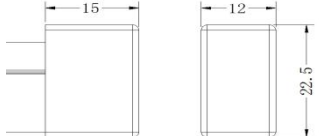

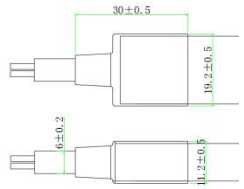

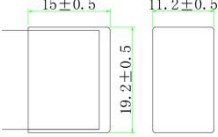
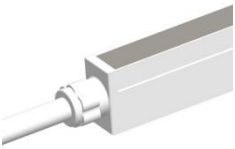
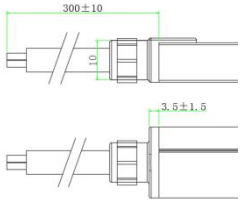

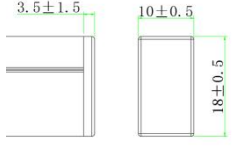
A	B	D	E	F	H	I
Cable Length	Strip length	Distance of LEDS	Cutting unit	Cable diameter	Strip thickness	Strip width
300±10mm	5000±50mm	11.9±0.2mm	71.4±0.2mm	6.0±0.2mm	10±0.5mm	18±0.5mm

Removal Light Source



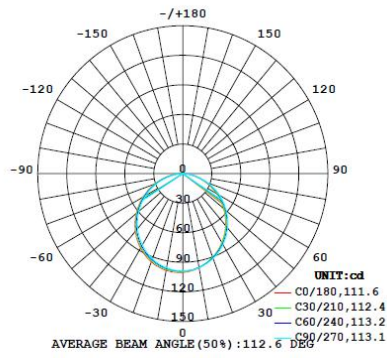
A	B	D	E	F	H	I
Cable Length	Strip length	Distance of LEDS	Cutting unit	Cable diameter	Strip thickness	Strip width
300±10mm	5000±50mm	11.9±0.2mm	71.4±0.2mm	6.0±0.2mm	1.2±0.2mm	10±0.2mm

Front & end caps

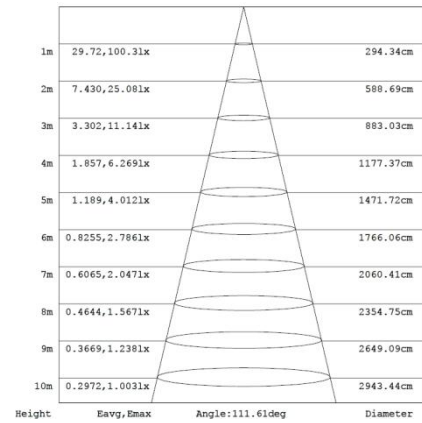
Cable Types	Model No.	Image	Dimension	IP Rating
Double Injection	TA10X18-TS			IP67
				
Same Width	TA10X18-TT2			IP65
				
Double Injection	TA10X18-TS2			IP65
				

Optical Parameters

Distribution Curve Flux

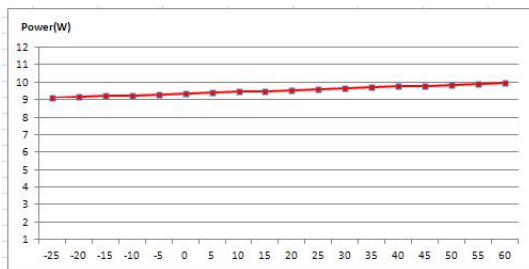


Illuminance

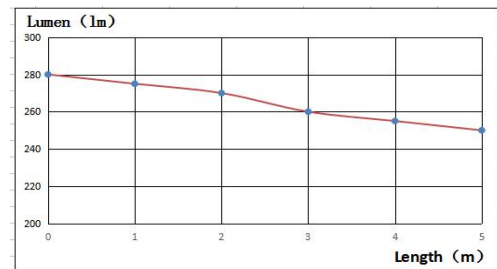


Figures of typical characteristics

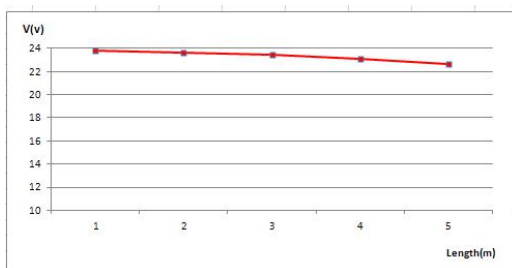
Relation of Working Temperature and Power




Relation of luminous flux and strip length
(Only suitable for white series)



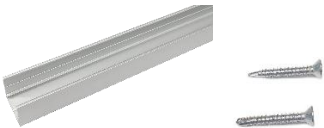

Relation of operating voltage and strip length



Standard Accessories

Image	Part No.	Description
	<p>WW-T0912-0025(1000S)</p>	<p>Installation accessories set (Stainless steel mounting buckle, screws)</p>

Optional Accessories

Image	Part No.	Description
	<p>WW-AP1712-200</p>	<p>Aluminum Profile: L2000*W11.6*H17mm</p>
	<p>WW-FLS102TA-CW(10mm)-TT2</p>	<p>Cutting accessories set (Front & end cap, power cord)</p>

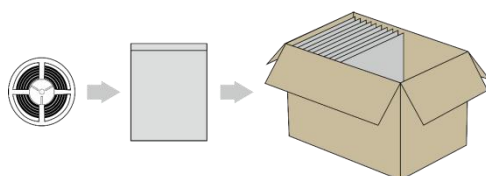
Packaging

**Solution 1:
For Product Length≤5M**



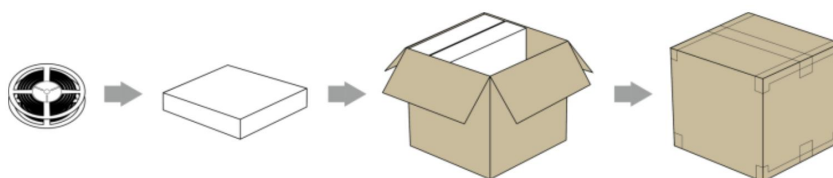
Ingress protection rating	Bag size	Inner carton		Outer carton		N.W	G.W	Outer carton volume
		Size	Reel/ctn	Size	Reel/ctn			
IP65/IP67	/	/	/	440*400 *260mm	10	10.14 KG ±10%	13.55KG ±10%	0.04576M ³
	/	/	/	17.32*15.748 *10.236 in	10	22.36 Lbs ±10%	29.87Lbs ±10%	1.616ft ³

**Solution 2:
For Product Length=5M**



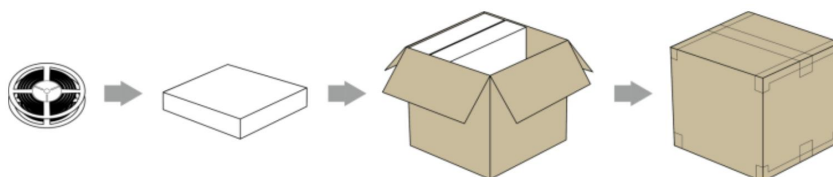
Ingress protection rating	Bag size	Inner carton		Outer carton		N.W	G.W	Outer carton volume
		Size	Reel/ctn	Size	Reel/ctn			
IP65/67	470*420*0.14mm	/	/	440*400 *260mm	7	7.10KG ±10%	10.54KG ±10%	0.0457M ³
	18.50*16.53*0.005in	/	/	17.32*15.75 *10.236 in	7	15.65 Lbs ±10%	23.23 Lbs ±10%	1.616ft ³

**Solution 3:
For Product Length=10M**



Ingress protection rating	Bag size	Inner carton		Outer carton		N.W	G.W	Outer carton volume
		Size	Reel/ctn	Size	Reel/ctn			
IP65/IP67	330*50mm	345*330*61mm	1	362*265*350mm	4	8.11KG ±10%	12.04KG ±10%	0.0335m ³
	12.99*1.96in	13.58*12.99*2.4in	1	14.25*10.43*13.77in	4	17.88Lbs ±10%	26.55Lbs ±10%	1.185ft ³

For Product Length=20M

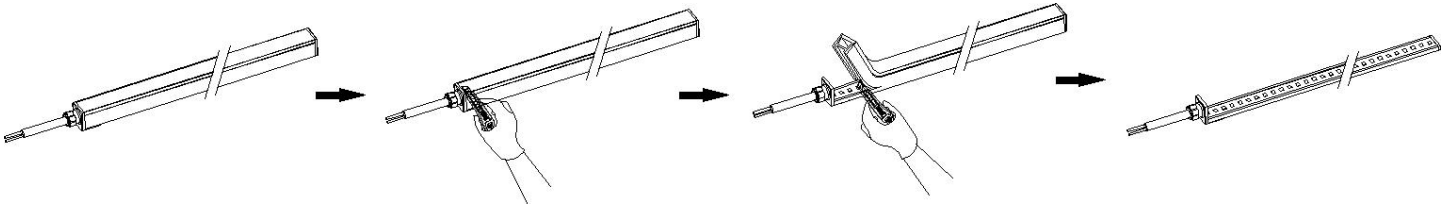


Ingress protection rating	Bag size	Inner carton		Outer carton		N.W	G.W	Outer carton volume
		Size	Reel/ctn	Size	Reel/ctn			
IP65/IP67	330*50mm	345*330*122mm	1	362*265*350mm	2	7.70KG ±10%	11.43KG ±10%	0.0335m ³
	12.99*1.96in	13.58*12.99*4.8in	1	14.25*10.43*13.77in	2	16.98Lbs ±10%	25.21Lbs ±10%	1.185ft ³

Remarks :

- Please contact our sales manager for customized package (color box, blister etc.)

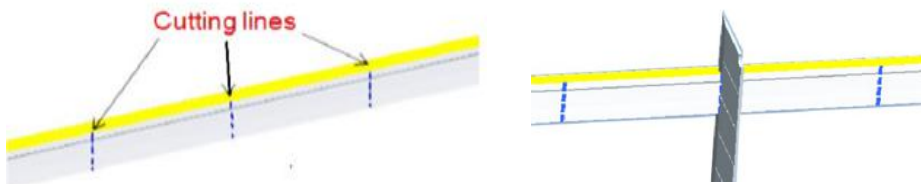
Instruction of Removal Light Source



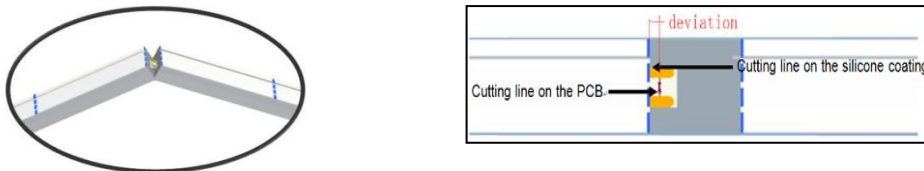
Cutting Instruction

- The cutting line logo on the Neon strip marked by calculated dimension, it has a little bit deviation between internal cutting line marked on the PCB surface;
- Please follow the cutting guidance as below:

Step 1: Fine the cutting line on the silicone coating, slice the silicone coating vertically by knife along the cutting line, but do not hurt the PCB inside.



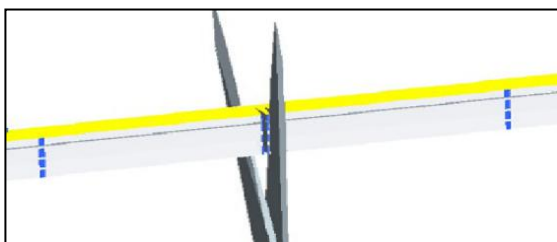
Step 2: Split the broken silicone coating and observe the deviation between "Cutting line on the PCB" and "Cutting line on the silicone coating side"



Step 3: Find the cutting line on the PCB, adjust to the exact cutting location and slice the silicone coating again.

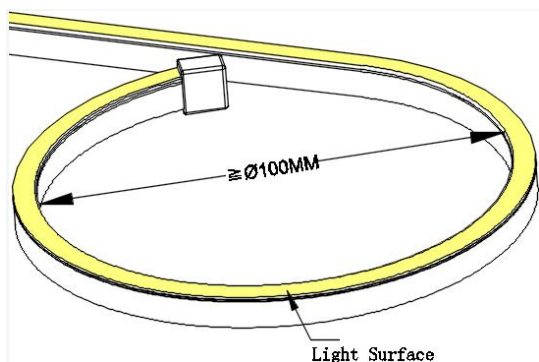


Step 4: Finally, use scissor to separate the Neon Flex along the cutting line on the PCB.

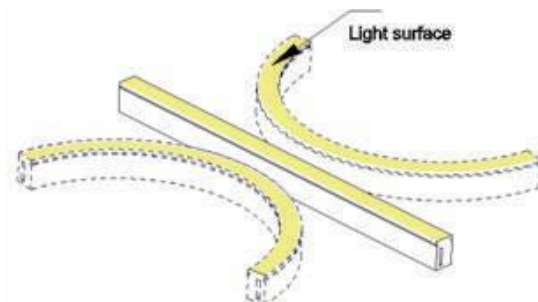


Installation Guidance

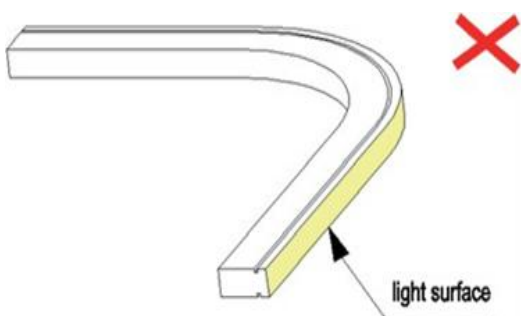
1. Do not bend smaller than allowed minimum bending diameter



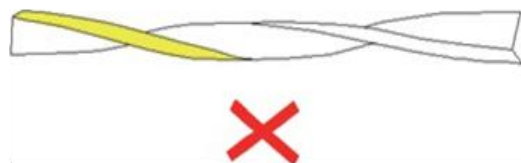
2. The neon strip can only be bent laterally (Along the FPC inside).



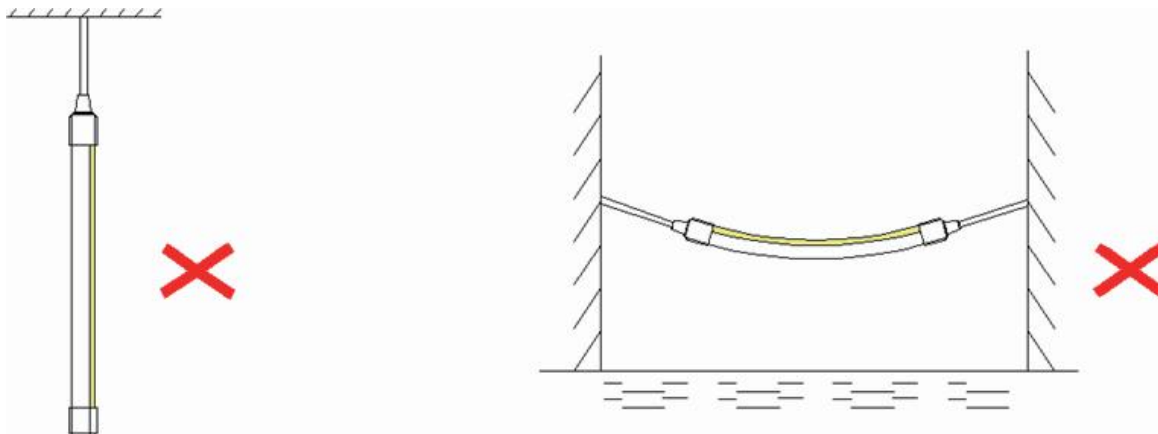
3. Don't bend the LED strip vertically, it will damage the circuit inside and cause product function failure.



4. Don't twist the LED strip, it will damage the circuit inside and cause product function failure.



5. Do not hang or suspend the Neon strip in the air.













6、 Press the neon flex into mounted aluminum profile in one direction (Angle between strip and aluminum <math><15^\circ</math> degrees).

















7、 Incorrect installation like below pictures could lead to product function failure.





 **Cautions**

IP20	IP54	IP65	IP67	IP68
 Do not press the surface of LED	 Pay attention to high temperature environment	 Do not use in strong water waves environment	 Resist strong water waves impact	 Can apply to underwater do not deeper than 1m
 Pay attention to damp-proof and dustproof	 Do not apply to rainy environment	 Can be applied to rainy environment	 Do not apply to underwater environment for a long time	 No direct sunlight

 Do not tie a knot	 Do not winding	 Do not twist	 Do not cut when it is working	 Recommended the continuous working time do not exceed 12 hours daily	 Operating temperature -40°~+65° (-40°F~+149°F)	 Storage temperature 0°C~+60°C (32°F~+140°F)	 Operated by professionals
 Pay attention to the application environment	 IP Level will change after cutting	 Do not pull and crash	 Connected to power supply every 5 meters	 Power supply must be connected to ground(GND)	 The minimum bending diameter > 60mm	 Power supply retain > 20%	 Note the positive and negative poles

 For cutting LED strip operation, it is necessary to use the standard accessories provided by Dilux (e.g. DC wire, end-cap, front-cap, adhesive, etc.), and according to the correct cutting and connecting method for the installation.

 For avoiding LED get vulcanized, LED strip should be installed in the environment where does not has oil and corrosive substances. Such as these substances which contain Sulphur, Bromine, Iodine and Chlorine. Some other chemical elements which will cause Aromatic hydrocarbons releasing(such as: methylbenzene, xylene, methyl acetoacetate Ethyl acetate etc.).The environment in which includes strong acid and strong base.

 During the warranty period, only defective products are acceptable to be replaced by the factory. Factory is not responsible for other expenses because of replacement, such as transportation fee, installation fee, etc..

** If you do not follow the above "Cautions" to operate and result in damaging the product, the factory will not accept maintenance and return.
**The right of final interpretation is owned by Dilux.